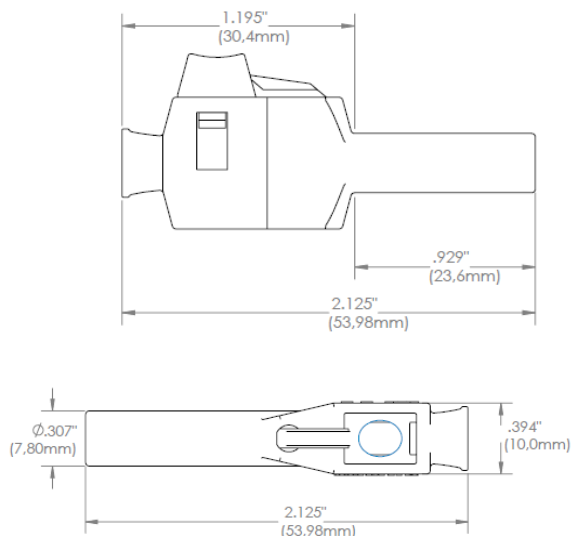
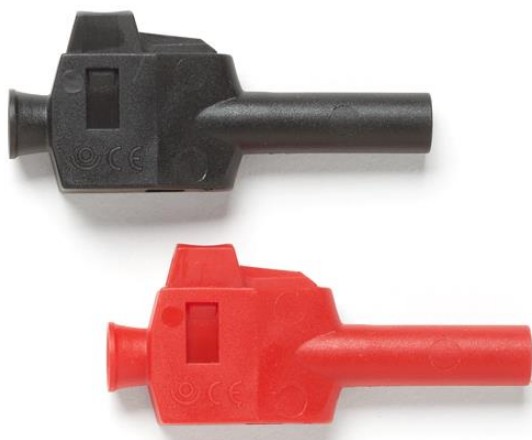


Model 73091

DIY Sheathed 4mm Banana Plug, Quick Wire Attachment



Features

- Attach wires quickly with the push-button tab for easy assembly or test lead repair
- No soldering or set screws required; simply, push and hold the push tab, insert the stripped test lead wire (*strip 4-6mm of insulation*), and release the push tab to secure the wire down
- Banana plug contact is sheathed for higher voltage and added protection
- Make 4mm banana plug test leads conveniently in the field
- Designed to fit on the end of any 22 AWG to 18 AWG wire gauge

Materials

Contact: Nickel-plated brass and steel
 Insulation: Polypropylene and Polyoxymethylene

Specifications

Voltage	*CAT II 600 V / CAT III 300 V
Max Current	20 A
Max Resistance	less than 10 m Ω
*When plug is correctly assembled and terminated	

Ordering Information

Model: 73091-*color*
Color: 0=Black, 2=Red
 Do-it-Yourself Sheathed 4mm Banana Plug, Quick Wire Attachment

USA: Sales: 800-490-2361
 Technical Support: technicalsupport@pomonatest.com
 Fax: 425-446-5844
Europe: 31-(0) 40 2675 150 **International:** 425-446-5500
Where to Buy: www.pomonaelectronics.com

All dimensions are in inches. Tolerances (except noted): .xx = $\pm .02"$ (.51 mm), .xxx = $\pm .005"$ (.127 mm). All specifications are to the latest revisions. Specifications are subject to change without notice. Registered trademarks are the property of their respective companies.