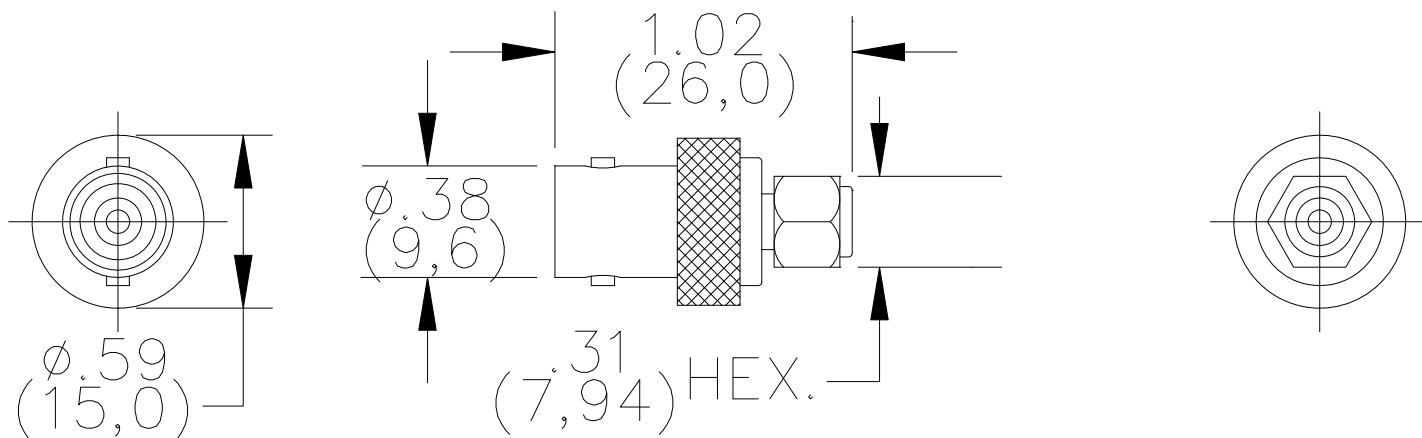


Model 4290
Adapter, SMA Male to BNC Female**Materials**

Body: Beryllium Copper

Contacts: Male – Brass

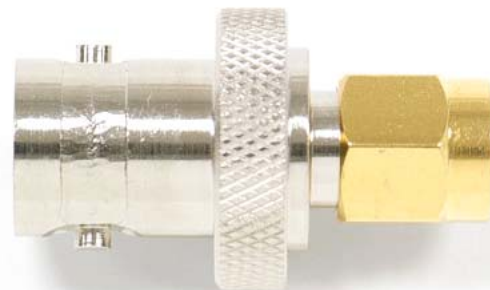
Female – Beryllium Copper

Finish: SMA Body – Gold Plated per MIL-G-45204, Type II, Class 2

BNC Body – Nickel Plated per QQ-N-290

Contacts – Gold Plated per MIL-G-45204, Type II, Class 2

Dielectric: PTFE per L-P-403

**Specifications**Voltage: For *CE Compliance* and for personal safety, do not hold in hand when voltages exceed 33 Vrms/70 Vdc.
Maximum voltage for *hands free use*: 335 Vrms Max.

Operating Temperature: -65°C (-85°F) to +165°C (+329°F)

Nominal Impedance: 50 Ohms

Frequency Range: 0 – 12.4 GHz.

Ordering Information

Model: 4290

USA: Sales: 800-490-2361
Technical Support: technicalsupport@pomonatest.com
Fax: 425-446-5844

Europe: 31-(0) 40 2675 150 International: 425-446-5500

Where to Buy: www.pomonaelectronics.comAll dimensions are in inches. Tolerances (except noted): .xx = ±.02" (.51 mm),
.xxx = ±.005" (.127 mm). All specifications are to the latest revisions.
Specifications are subject to change without notice. Registered trademarks are
the property of their respective companies.